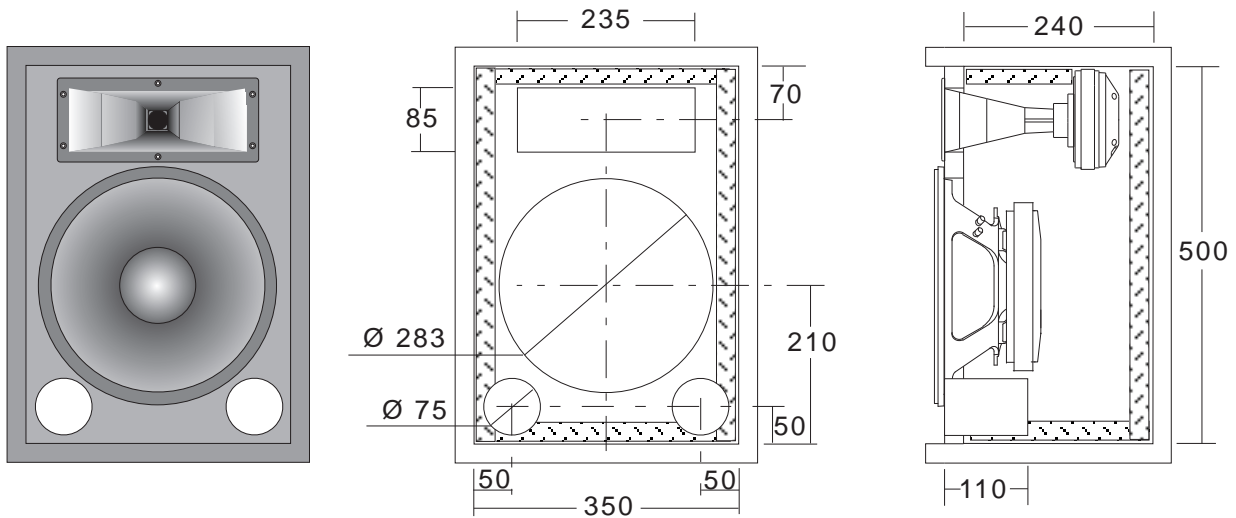


# PR043 TWO WAY REFLEX MONITOR



COMPONENTS	
L F	12.00 W1
H F	1.44 CD2
Horn	PR 260
Crossover	PF 203
Max Power	600 W
Nominal Power	300 W
Impedance	8 $\Omega$

## SPECIFICATIONS

Sensitivity 1W/1m	:	100	dB
Net volume Vb	:	35	dmc
Tuning Frequency Fb	:	60	Hz
Frequency range	:	20 ÷ 20000	Hz
Crossover Frequency	:	2000	Hz

